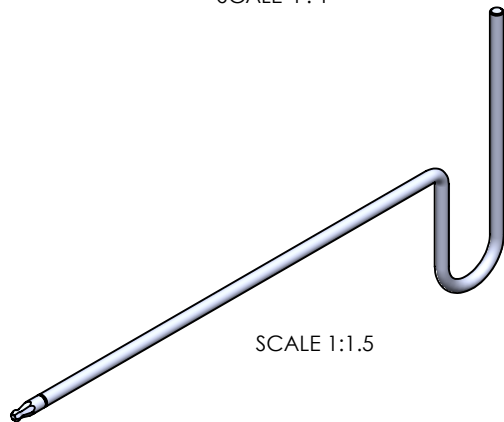
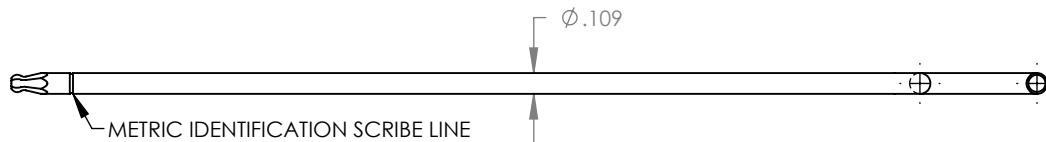


DETAIL B
SCALE 4 : 1



SCALE 1:1.5

UNLESS OTHERWISE SPECIFIED: DIMENSIONS ARE IN INCHES			TOLERANCES: X.XX= ±0.13 X.XXX= ±0.015 X.XXXX= -0.0015
DRAWN	NAME	SIGN	DATE
APPVD	A.T.		01.29.20

STERITOOTM
The Global Source for Stainless Steel Tools

MATERIAL: 465 MAGNETIC S.S.		TITLE: 2.0MM BALL 'T' HEX KEY	
THIS DRAWING IS THE PROPERTY OF STERITOO, INC. ANY REPRODUCTIONS OR MODIFICATIONS OF THIS DRAWING OR ITS CONTENTS WITHOUT THE CONSENT OF STERITOO, INC. IS PROHIBITED.		PART NO. 11630	REV: A
SCALE 1:1		SHEET 1 OF 1	